

The FURUNO FAX-30 is a revolutionary facsimile receiver for receiving a weather forecast and safety messages on maritime navigation. It receives weather maps, safety messages and satellite images, and indicates them on an associated display in high contrast and resolution.

The standard package contains the receiver and installation materials. Minimum options required for the basic operation are antenna and a display; Windows 98, 2000, ME or XP based PC or 10.4" NavNet display.

The FAX-30 receives weather maps broadcast by the fax transmitting stations working with the WMO standards. Drum speeds, IOC and other essential

parameters are manually or automatically selected for quality reception by the FAX-30. In addition, the Internet browser such as Internet Explorer or Netscape can be used for finding a required image or data.

Twelve received pictures can be stored and selected by clicking the icon on the screen. The NAVTEX message can be retrieved in the table listing 130 stored files. Weather maps can be freely rotated on the screen. The display color is 8 shades of gray; the blue shades may be reversed for better viewing depending on the lighting conditions. When the printer is connected to the PC, a printout is available without needing a special fax paper.

SPECIFICATIONS OF FAX-30

GENERAL

Frequency Range	80 kHz to 160 kHz, 2 MHz to 25 MHz, 490 kHz, 518 kHz (NAVTEX)
Class of emission	F3C, J3C, F1B (NAVTEX)
Receiving System	Double superheterodyne IF: 50.0 MHz and 455 kHz
Storage	
Fax:	12 pictures
NAVTEX:	130 messages 8000 characters/message 55 characters x 20 lines Character size: 2.6 x 5.3 mm
Scanning Speed	60, 90, 120 or 240 r.p.m., automatic or manual selection
I.O.C.	576 or 288, automatic or manual selection
Display Color	8 shades of gray or blue
Networking Standard	Ethernet 10 Base-T TCP/IP

POWER SUPPLY

12-24 VDC, 15 W

MINIMUM SYSTEM REQUIREMENTS FOR PC OS:

Windows 98, 2000, ME, XP or NT 4.0
CPU: 200 MHz or faster
RAM: 64 MB or more
Resolution: 1024 x 768 pixels 640 x 480 pixels (NavNet)
Browser: Internet Explorer Ver. 5.01/5.5/6.0 Netscape Ver. 4.78/6.2

ENVIRONMENTAL CONDITIONS

EMC, Vibration, Climatic: Complies with IEC 60945

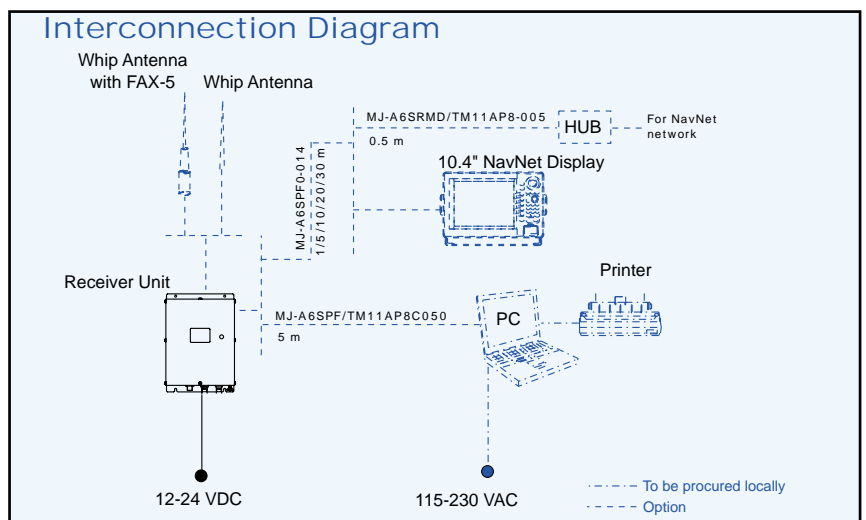
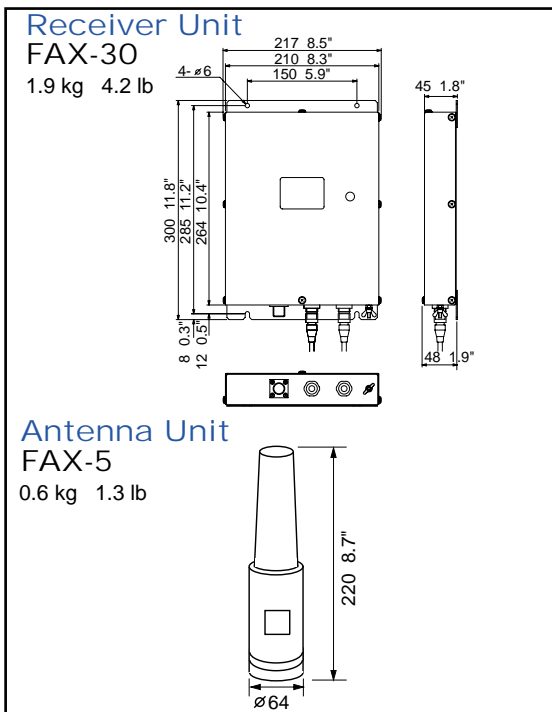
EQUIPMENT LIST

Standard

- | | |
|---|--------|
| 1. Receiver Unit FAX-30 | 1 unit |
| 2. Installation Materials and Spare Parts | 1 set |

Option

1. Preamp FAX-5 with 15 m cable
2. Antenna Fixing Clamp
3. Whip Antenna 04S4176
4. Extension Cable OP-04-2
5. PC Adaptor Cable MJ-A6SPF/TM11AP8C050
6. HUB Adaptor Cable MJ-A6SRMD/TM11AP8-005
7. NavNet Cable MJ-A6SPF0-014 (1/5/10/20/30 m)



SPECIFICATIONS SUBJECT TO CHANGE WITHOUT NOTICE

FURUNO U.S.A., INC.
Camas, Washington, U.S.A.
Phone: +1 360-834-9300 Telefax: +1 360-834-9400

FURUNO (UK) LIMITED
Denmead, Hampshire, U.K.
Phone: +44 2392-230303 Telefax: +44 2392-230101

FURUNO FRANCE S.A.
Bordeaux-Mérignac, France
Phone: +33 5 56 13 48 00 Telefax: +33 5 56 13 48 01

FURUNO ESPANA S.A.
Madrid, Spain
Phone: +34 91-725-90-88 Telefax: +34 91-725-98-97

FURUNO DANMARK AS
Hvidovre, Denmark
Phone: +45 36 77 45 00 Telefax: +45 36 77 45 01

FURUNO NORGE A/S
Ålesund, Norway
Phone: +47 70 102950 Telefax: +47 70 127021

FURUNO SVERIGE AB
Västra Frölunda, Sweden
Phone: +46 31-7098940 Telefax: +46 31-497093

FURUNO SUOMI OY
Helsinki, Finland
Phone: +358 9 341 7570 Telefax: +358 9 341 5716

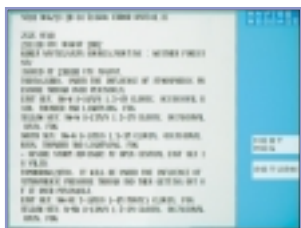
02095SS Printed in Japan

Quick visual imaging without needing a printout **FACSIMILE RECEIVER** Model FAX-30

- **Blackbox receiver unit including a NAVTEX and weather fax receivers and interface for PC or NavNet display**
- **Browsing pictures or messages on net**
- **Storing up to 12 pictures (depend on the picture size or hard disk memory)**
- **100 user programmed channels**
- **Noise Rejection for clear image**



Navtex Message



Reverse



Zoom

