

FURUNO

15", 19" Sunlight Viewable

MU-150HD/190HD

MARINE DISPLAY



www.furuno.com

The FURUNO MU-150HD/190HD is a multi-purpose marine LCD that features the unmatched quality and reliability that you have learned to depend on.

The MU-150HD/190HD employs 1,000 cd/m² extremely bright color TFT LCDs with a special AR (anti-reflective) glass filter to cut down on annoying glare. With its bright colors, excellent contrast and wide viewing angles, the monitor is perfect for any tropical sunlight or low light conditions. Furthermore, the LCDs and the glass are bonded to ensure fog free operation on open fly-bridge installations.

The screen resolutions of the MU-150HD/190HD is: XGA (1024 x 768) and SXGA (1280 x 1024), respectively. The MU-150HD/190HD features a built-in scaler, which enables high resolutions up to SXGA (1280 x 1024).

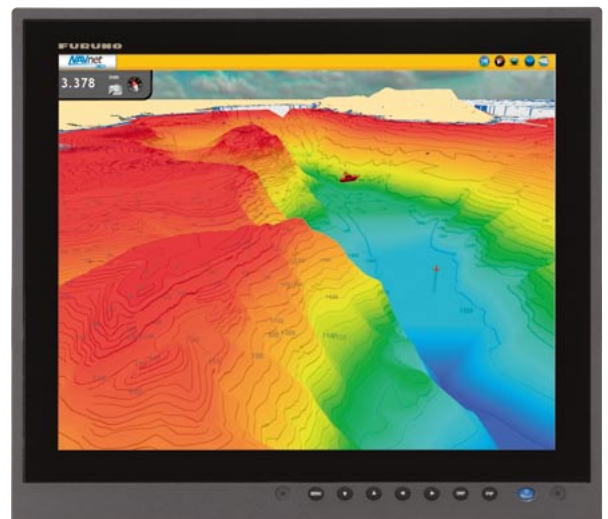
These units feature a wide range of interface options that include: 1 RGB analog, 2 DVI (Digital Video Interface) and 3 NTSC/PAL video inputs. These displays may be used as either the main or remote display for a variety of marine equipment such as BlackBox Radar, Sounder, Sonar and NavNet series. They can also be used for displaying images from security cameras, DVD player, computers, etc.

Need a bright idea?

How about using FURUNO marine grade monitors in your helm!



MU-150HD
[15" Sunlight Viewable]



MU-190HD
[19" Sunlight Viewable]



- ▶ Crystal clear 15" or 19" marine grade monitor for use as main or remote display
- ▶ MU-150HD Resolution: 1024 x 768 XGA
- ▶ MU-190HD Resolution: 1280 x 1024 SXGA
- ▶ Built-in scaler allows accepting up to SXGA (1280 x 1024) resolution
- ▶ 1,000 cd/m² brightness and A/R coating provides superior visibility even in direct sunlight
- ▶ Bonded LCD provides clear view in any weather conditions
- ▶ Automatic dimmer sensor adjusts the display brightness as light conditions change
- ▶ 1 RGB analog, 2 DVI (Digital Video Interface) and 3 NTSC/PAL interfaces available
- ▶ Any of the three NTSC inputs are PIP (Picture-In-Picture) capable, with adjustable size and screen location
- ▶ Table Top/Ceiling or Flush Mount (Table Top/Ceiling mounting bracket is optional)
- ▶ Customizable input names for easy on-the-fly identification and switching between onboard Radar, Sonar, Sounder, Camera, etc.
- ▶ Automatic signal recognition and scaling for easy setup and installation

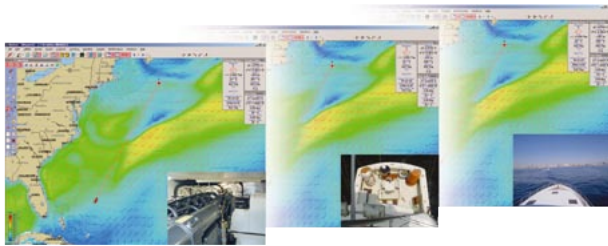


Flush mount installation

“Low Profile” flush mounting provides a custom console appearance. Two or more MU-150HD/190HD can be fitted side by side seamlessly on your console when flush mounted. The MU-150HD/190HD monitors feature slim case designs that can put a larger display into a more confined helm space.

Picture In Picture (PIP)

Composite video (NTSC/PAL) input is available for displaying video images from an onboard TV/DVD player. With more than two Composite Video Inputs, the images in the PIP window automatically switch every few seconds.



Low power consumption

Utilizing the latest LED backlight, The MU-150HD/190HD delivers sharp, high quality images with bright colors and all at very low power consumption.





Slim, light weight and compact

MU-150HD/190HD features a slim depth, light weight and compact body that fits right in your console. It's space-saving design makes optimum use of your dashboard.

COMPATIBILITY

Other models not on the list may also be supported. Please ask our dealer for details.

	MODEL	Resolution	Interface
NAVnet 3D series 	MFD8	VGA	DVI
	MFD12	SVGA	DVI
	MFDBB	SVGA/SXGA	DVI
NAVnet vx2 series 	MODEL1824C/BB	VGA	RGB analog
	MODEL1834C/BB	VGA	RGB analog
	MODEL1934C/BB	VGA	RGB analog
	MODEL1944C/BB	VGA	RGB analog
	MODEL1954C/BB	VGA	RGB analog
	MODEL1964C/BB	VGA	RGB analog
Echo Sounder	FCV-1200L/LM* (Landscape installation only)	VGA	RGB analog
Sonar	CH-250*/270*/300*	VGA	RGB analog
Radar	FR-1500 MARK-3 series	XGA	RGB analog
	FAR-2117/2127/2137S/BB	SXGA	DVI

*Interface Unit IF-8000 is required

SPECIFICATIONS OF MU-150HD/190HD

DISPLAY CHARACTERISTICS	MU-150HD	MU-190HD
Screen Size	15 inches 304.1 x 228.1 mm	19 inches 376.32 x 301.056 mm
Resolution *Resolution from VGA to SXGA are accepted	1024 x 768 (XGA)	1280 x 1024 (SXGA)
Contrast Ratio (typical)	600 : 1	900 : 1
Viewing Angle		
Vertical	up 80° to down 80° or more	up 80° to down 80° or more
Horizontal	left 80° to right 80° or more	left 80° to right 80° or more
Brightness	Max. 1000 cd/m ² , Min. 0.2 cd/m ² or under	
Interface		
Analog RGB	1 port, D-SUB/15 pins	
DVI	2 ports, DVI-D	
Composite Video	3 ports, NTSC/PAL	
POWER SUPPLY	12-24 VDC, 4.5 - 2.2 A	12-24 VDC, 8.4 - 3.9 A
ENVIRONMENT (IEC 60945 test method)		
Temperature	-15 °C to + 55 °C	
Waterproofing	IP56 (CFR46 Front Panel), IP22 (Back Panel)	
EMC	IEC 60945 4th	

EQUIPMENT LIST

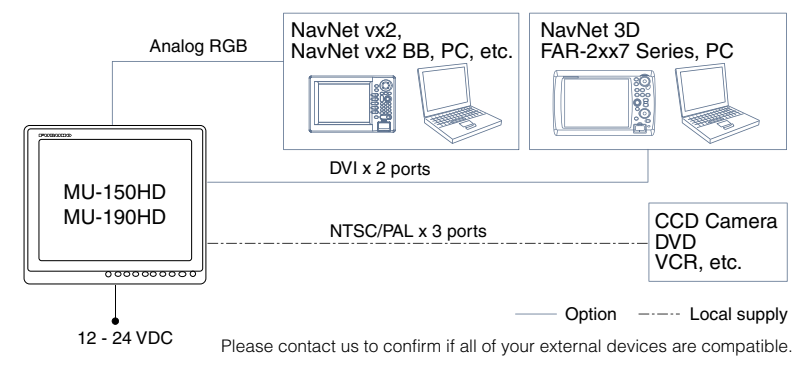
Standard

1. Display Unit MU-150HD/190HD 1 unit
2. Installation Materials and Spare Parts

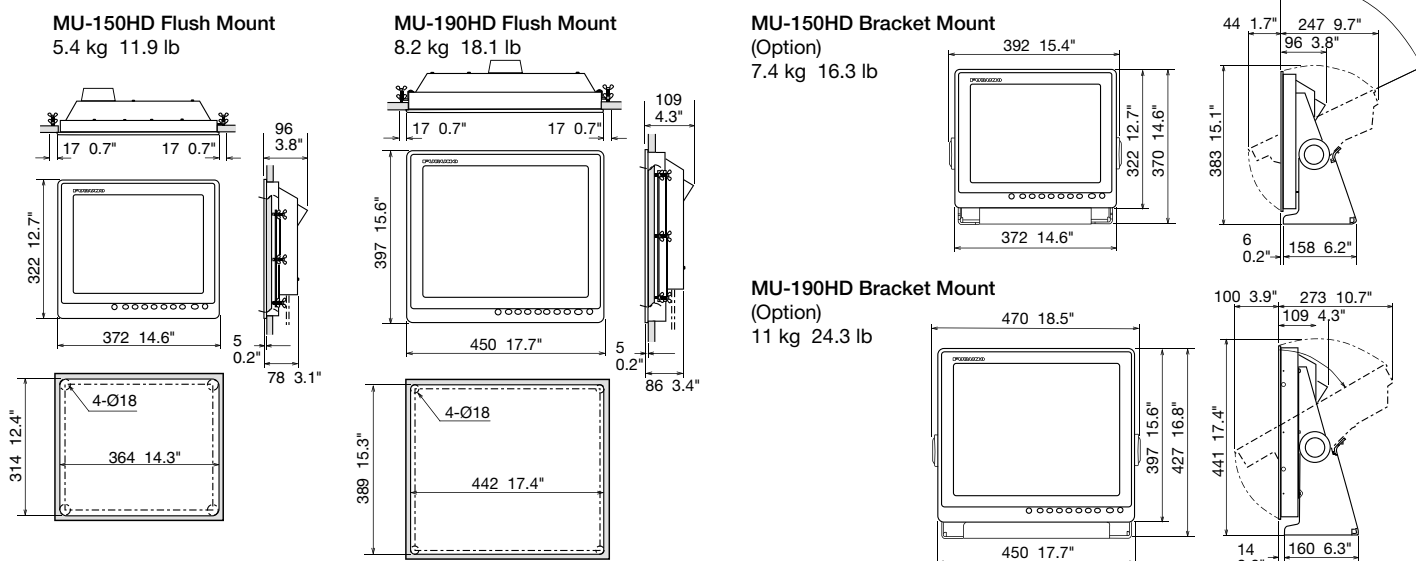
Option

1. Interface Cable for DVI 5/10 m, DVI-D/D SINGLELINK5M/10M
2. Interface Cable for analog RGB 5/10 m, 3COX-2P-6C 5M/10M
3. Mounting Bracket OP26-2/OP26-5
4. Viewing Hood OP26-3/OP26-6
5. Flush Mount Kit OP26-4/OP26-7

INTERCONNECTION DIAGRAM



DIMENSIONS AND WEIGHT



All brand and product names are registered trademarks, trademarks or service marks of their respective holders.
SPECIFICATIONS SUBJECT TO CHANGE WITHOUT NOTICE

FURUNO ELECTRIC CO., LTD.

Nishinomiya, Hyogo, Japan
www.furuno.co.jp

FURUNO U.S.A., INC.

Camas, Washington, U.S.A.
www.furunousa.com

FURUNO (UK) LIMITED

Havant, Hampshire, U.K.
www.furuno.co.uk

FURUNO FRANCE S.A.S.

Bordeaux-Mérignac, France
www.furuno.fr

FURUNO ESPAÑA S.A.

Madrid, Spain
www.furuno.es

FURUNO DANMARK AS

Hvidovre, Denmark
www.furuno.dk

FURUNO NORGE A/S

Ålesund, Norway
www.furuno.no

FURUNO SVERIGE AB

Västra Frölunda, Sweden
www.furuno.se

FURUNO FINLAND OY

Espoo, Finland
www.furuno.fi

FURUNO POLSKA Sp. z o.o.

Gdynia, Poland
www.furuno.pl

FURUNO DEUTSCHLAND GmbH

Rellingen, Germany
www.furuno.de

FURUNO EURUS LLC

St. Petersburg, Russian Federation
www.furuno.com.ru

FURUNO HELLAS LTD.

Piraeus, Greece



0912XU Printed in Japan
Catalogue No. M-1550

